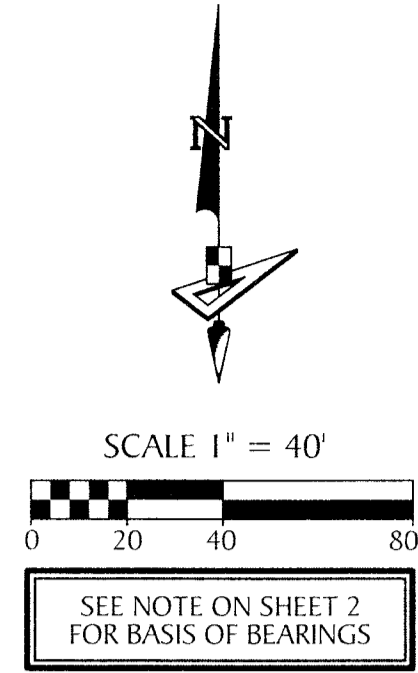
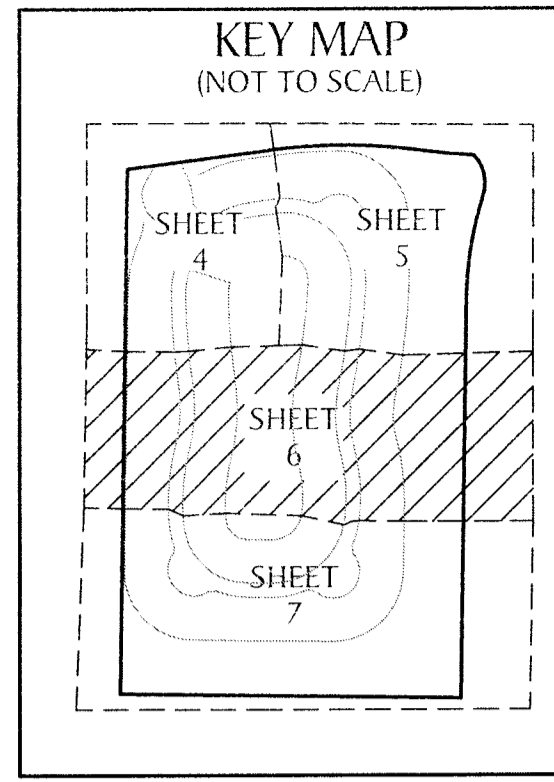


ESTATES OF WESTLAKE

BEING A PORTION OF SECTION 7, TOWNSHIP 43 SOUTH, RANGE 41 EAST,
CITY OF WESTLAKE, PALM BEACH COUNTY, FLORIDA.

LEGEND

- | | |
|---|---|
| P.O.B. ----- POINT OF BEGINNING | CB ----- CHORD BEARING |
| P.O.C. ----- POINT OF COMMENCEMENT | C ----- CHORD |
| P.B. ----- PLAT BOOK | R/W ----- RIGHT-OF-WAY |
| D.B. ----- DEED BOOK | (R) ----- RADIAL |
| PG./PG(s) ----- PAGE(S) | (NR) ----- NON-RADIAL |
| NAD ----- NORTH AMERICAN DATUM | HOA ----- HOMEOWNERS ASSOCIATION |
| W.M.T. ----- WATER MANAGEMENT TRACT | S.I.D. ----- SEMINOLE IMPROVEMENT DISTRICT |
| O.S.T. ----- OPEN SPACE TRACT | PRM ----- PERMANENT REFERENCE MONUMENT |
| P.B.C. ----- PALM BEACH COUNTY | ● ----- PERMANENT CONTROL POINT |
| U.E. ----- UTILITY EASEMENT | □ ----- FOUND PERMANENT REFERENCE MONUMENT |
| D.E. ----- DRAINAGE EASEMENT | ■ ----- SET 4"x4" CONCRETE MONUMENT WITH 2" ALUMINUM DISK STAMPED "PRM LB 7768" |
| L.M.A.E. ----- LAKE MAINTENANCE ACCESS EASEMENT | |
| 7-43-41 ----- SECTION-TOWNSHIP-RANGE | |
| R ----- RADIUS | |
| L ----- ARC LENGTH | |
| D ----- DELTA ANGLE | |



113

